

**INQUIRIES?**

PHONE 1.810.629.6663

FAX 1. 810.629.8145

WEB ATLASTECHNOLOGIES.COM

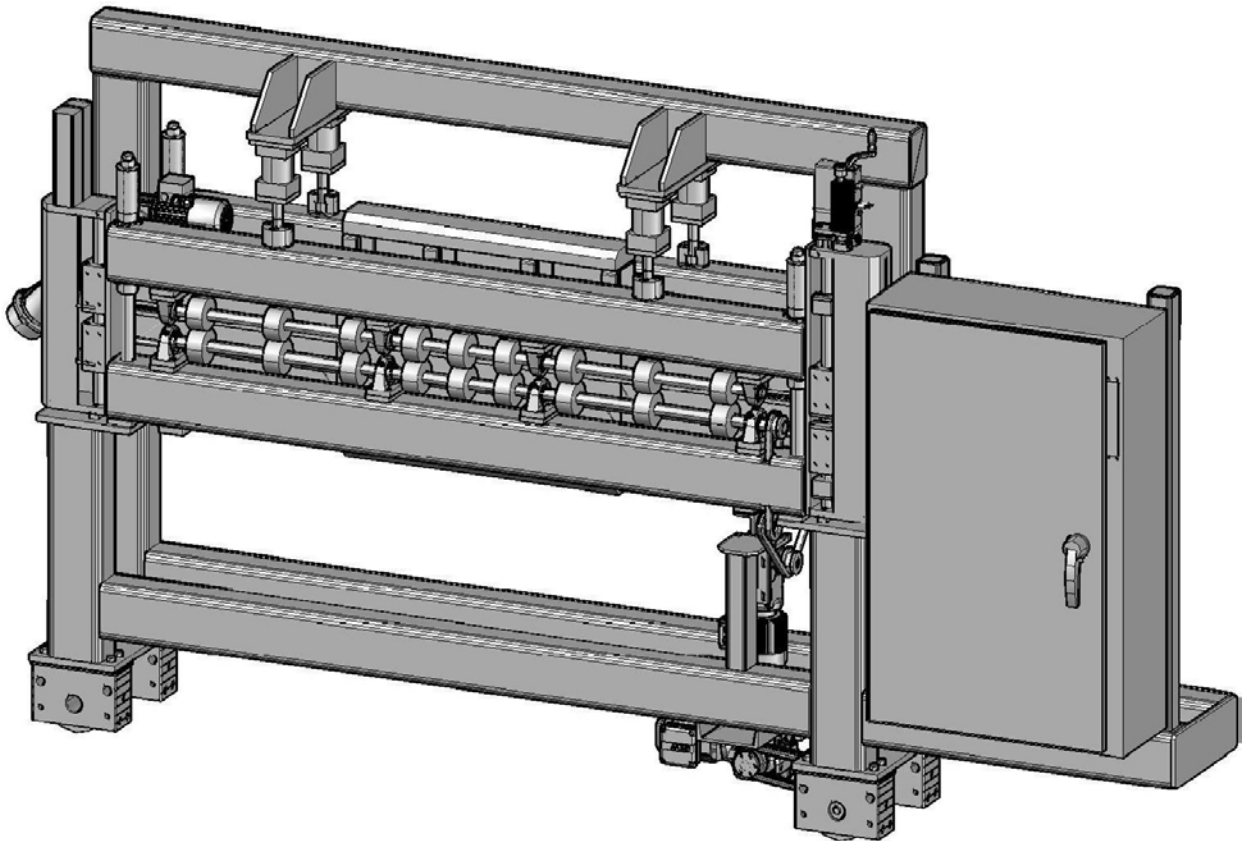
EMAIL SALES@ATLASTECHNOLOGIES.COM

**PRODUCT DETAILS****GEN II FLEX Dry Brush Cleaner**

Atlas Technologies' GEN II FLEX Dry Brush Cleaner uses an innovative "dry wash" system. This proven cleaning technology is a "greener" addition to our line of existing oil and water based blank washing systems. The lubricant free application offers lower maintenance protocols while remaining cost effective.

**BELOW LEFT**

Dimensional drawing of the GEN II Dry Brush Cleaner.

**BENEFITS**

- + Elimination of costly and hard to replace cleaning rolls or cartridges
- + Elimination of the need to change messy fluid filters
- + Easy pass through with double sided cleaning with constant wiping pressure
- + Reduced space required
- + Lower initial costs

**SPECIFICATIONS**

- + Linear brushes mounted for double sided cleaning configured to provide constant wiping pressure on both sides of the blanks
- + The blank thickness can vary allowing for all blanks to pass safely through the brushes
- + Available in widths from 2M to 4.5M

**RIGHT**

Linear brush technology for double sided cleaning to provide constant wiping pressure.

**RE-OILING OPTIONAL ADD-ONS:**

- + "GEN II FLEX Oiler" spray nozzle technology is integrated into the brush system and eliminates the use of "air atomizing" nozzles
- + This system will accommodate water soluble synthetic lubricants, oil based lubricants and can be used with low and medium viscosity lubricants
- + Wide range of application rates and blank/coil speeds are achieved using a single spray header and nozzle design
- + Programmable for checker board application