



ATLAS TECHNOLOGIES

Your Source for
Innovation • Durability • Productivity

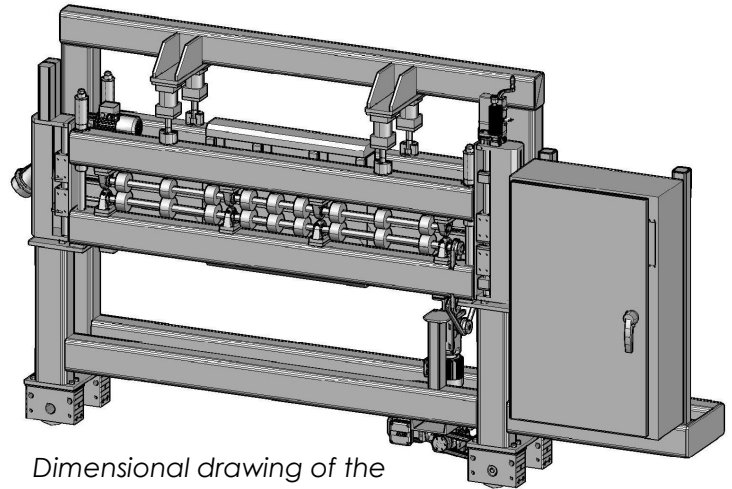
Atlas Technologies' GEN II FLEX Dry Brush Cleaner uses an innovative "dry wash" system. This proven cleaning technology is a "greener" addition to our line of existing oil and water based blank washing systems. The lubricant free application offers lower maintenance protocols while remaining cost effective.



Linear brush technology for double sided cleaning to provide constant wiping pressure.



GEN II FLEX Dry Brush Cleaner



*Dimensional drawing of the
GEN II Dry Brush Cleaner.*

GEN II Dry Brush Specifications:

- Linear brushes mounted for double sided cleaning configured to provide constant wiping pressure on both sides of the blanks.
- The blank thickness can vary allowing for all blanks to pass safely through the brushes.
- Available in widths from 2M to 4.5M.

Benefits of the GEN II Dry Brush:

- Elimination of costly and hard to replace cleaning rolls or cartridges.
- Elimination of the need to change messy fluid filters.
- Easy pass through with double sided cleaning with constant wiping pressure.
- Reduced space required.
- Lower initial costs.

Re-Oiling Optional Add-On:

- "GEN II FLEX Oiler" spray nozzle technology is integrated into the brush system and eliminates the use of "air atomizing" nozzles.
- This system will accommodate water soluble synthetic lubricants, oil based lubricants and can be used with low and medium viscosity lubricants.
- Wide range of application rates and blank/coil speeds are achieved using a single spray header and nozzle design.
- Programmable for checker board application patterns on top and bottom surfaces.

